

# Classic Professional Series Sales Tutorial



PRESENTATION DATE

January, 2020

**CL 1x, -2x, -3x statement of line**

Stools designed for doctor's exam rooms

circle ring ht. adj.



CL12

- Circle ring enables user to adjust seat height from any angle
- Safety soft casters for minimal chair movement when not in use



CL13

- Same control and safety soft casters as CL12
- Adds easy to clean, adjustable chrome footring



CL33

- Same control and safety soft casters as CL12
- Adds elevated column base with footrest for support

heel activated ht. adj.



CL14

- Heel activation height adj. allows for hands-free operability during surgery and office visits
- Safety soft casters for minimal chair movement when not in use



CL15

- Same control and safety soft casters as CL14
- Adds, optimal back, body-side, and abdomen support

simple seat ht. adj.



CL22

- Paddle height adjuster
- Optimal back, body-side, and abdomen support
- Safety soft casters for minimal chair movement when not in use



CL23

- Same control, backrest, and safety soft casters as CL22
- Adds easy to clean, adjustable chrome footring



CL35

- Same control, backrest, and safety soft casters as CL22
- Adds elevated column base with footrest for support



**CL 4x statement of line**

Simple exam room taskers and stools

small / petite

**CL44EZ**

- Pnuematic lift
- EZ Back height adj.
- Independent seat and back angle adj.



**CL44MD**

- Pnuematic lift
- EZ Back height adj.
- Infinitely locking back tilt



average / medium

**CL48EZ**

- Pnuematic lift
- EZ Back height adj.
- Independent seat and back angle adj.



stools

**CL45EZ**

- Pnuematic lift
- EZ Back height adj.
- Independent seat and back angle adjustment



**CL47**

- Pnuematic lift
- EZ Back height adj.
- Infinitely locking back tilt
- Seat Slider

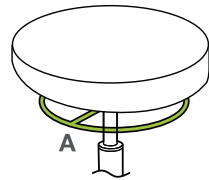


## Mechanism Adjustments

### CL Ring Height Adjustment

(Model CL12, CL13, CL33)

A. Seat Height

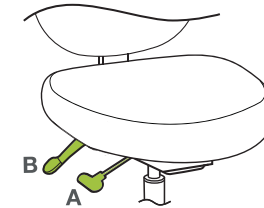


### CL44MD Simple Adjustment

(Model CL44MD)

A. Seat Height

B. Infinite Back Tilt/Lock



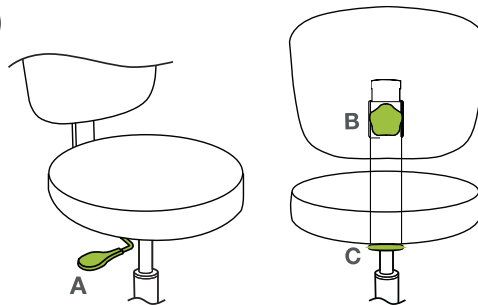
### CL Simple Seat Height Adjustment

(Model CL22, CL23, CL35)

A. Seat Height

B. Back Height

C. Back Depth



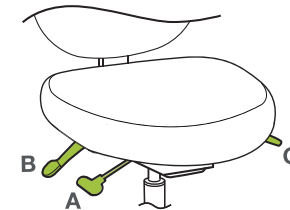
### CL47 Simple Adjustment with Slider

(Model CL47)

A. Seat Height

B. Infinite Back Tilt/Lock

C. Seat Slider



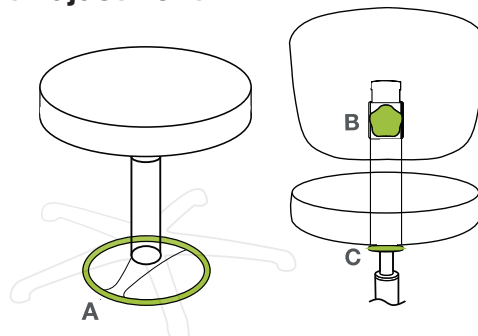
### CL Heel-Activated Height Adjustment

(Model CL14, CL15)

A. Seat Height

B. Back Height (CL15)

C. Back Depth (CL15)



### CL44EZ, CL45EZ, CL48EZ Simple Multi-Function

(Model CL44EZ, CL45EZ, CL48EZ)

A. Seat Height

B. Seat/Back Tilt and Lock

C. Independent Back Angle

