

# disassembly & recycling instructions

## stacking/guest chair: plastic seat & back

### applicable chair series

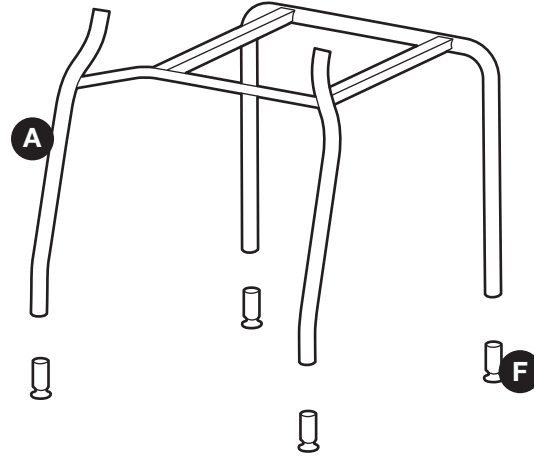
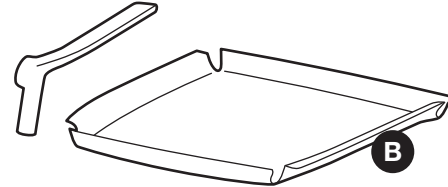
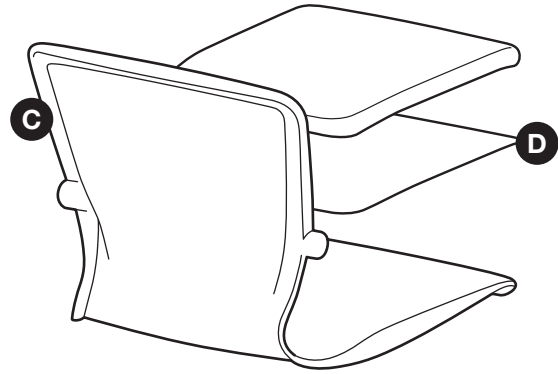
OM5 Active™  
Werksy®  
Tibidi™  
ST  
SG

### recommended tools

Safety Glasses  
Work Gloves  
Flat Head Screw Driver  
Phillips Screw Driver  
Socket Wrench Set  
Allen Wrench Set  
Utility Knife  
Steel Putty Knife

### recyclable material

**A** Leg Frame — Steel  
**B** Bottom Cover — Plastic  
**C** Seat Shell — Plastic  
**D** Upholstery Liner — Plastic  
**E** Arms — Plastic  
**F** Glides — Plastic  
**G** Hardware — Steel



### steps to disassemble

- 1 Start by laying the chair on its back.
- 2 Pull or unscrew the glides **(F)** off the leg frame. Use a flat head or phillips head screw driver if needed.
- 3 Separate the bottom cover **(B)** from the leg frame **(A)** with a phillips head screw driver or allen wrench.
- 4 Locate any screws holding the arms **(E)** to the leg frame or seat shell, remove the screws and pull off arms.
- 5 Remove the leg frame from the seat shell **(C)** with a screw driver and allen wrench.
- 6 Remove the upholstery liner **(D)** from the seat shell with a screw driver.
- 7 Remove the fabric from the seat with a utility knife.
- 8 Separate foam from the upholstery liner with putty knife.

disassembly & recycling instructions  
**task chair: plastic seat & back**

applicable chair series

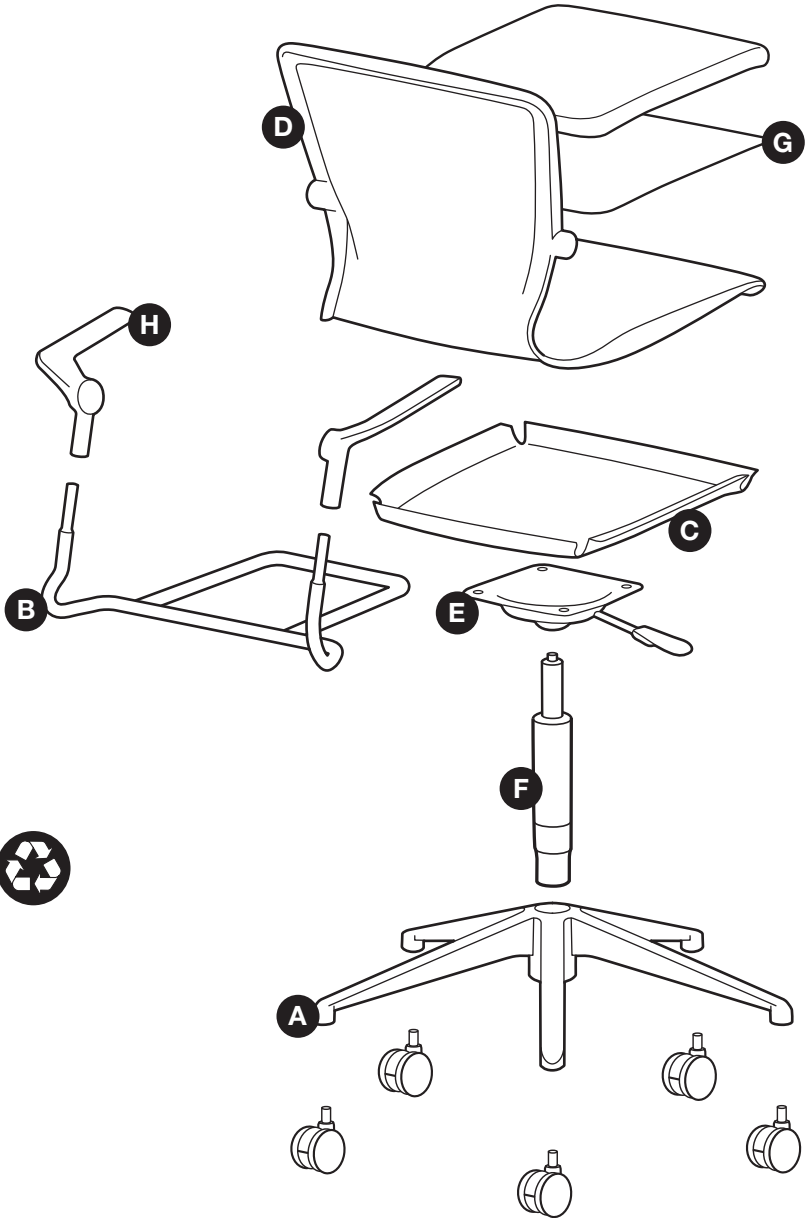
OM5 Active™  
 Werksy®

recommended tools

- Safety Glasses
- Work Gloves
- Flat Head Screw Driver
- Phillips Screw Driver
- Socket Wrench Set
- Allen Wrench Set
- Hammer (Sledge preferred)
- Pipe Wrench (24 inch preferred)
- Utility Knife
- Steel Putty Knife
- Magnet

recyclable material

- A** Base — Plastic or Aluminum
- B** Seat Frame — Steel
- C** Bottom Cover — Plastic
- D** Seat Shell — Plastic
- E** Mechanism — Steel or Aluminum
- F** Cylinder — Steel
- G** Upholstery Liner — Plastic
- H** Arms — Plastic
- I** Hardware — Steel



steps to disassemble

- 1 Start by laying the chair on its back.
- 2 Pull the casters off the base. Use a flat head screw driver if needed to pry them loose.
- 3 Separate the base **(A)** from the cylinder **(F)** by striking the bottom of the cylinder housing with a hammer.
- 4 For stool models, remove the footring from the cylinder by loosening the handwheel. If no handwheel is found, twist the entire footring.
- 5 If the mechanism **(E)** has an aluminum body (a magnet will not attract to it), remove the cylinder from the mechanism.  
 Use a pipe wrench to twist the piston inserted into the mechanism housing. If the mechanism is steel (a magnet will attract to it), the cylinder and mechanism can be recycled together.
- 6 Locate four bolts holding the mechanism to the seat, and remove them with a screw driver or socket wrench.
- 7 Remove the bottom cover **(C)** from the seat shell **(D)** with an allen wrench.
- 8 Remove the seat frame **(B)** from the seat shell with a screw driver and allen wrench.
- 9 Remove the arms **(H)** from the seat frame with a screw driver and allen wrench.
- 10 Remove the upholstery liner **(G)** from the seat shell with a screw driver.
- 11 Remove the fabric from the seat with a utility knife.
- 12 Separate foam from the upholstery liner with putty knife.