

Classic

Features:

- Begins @ \$297 armless stool (CL12)
- CL1x, -2x, -3x - Thoughtfully designed for doctor's exam rooms
- Casters that move less readily until a user is fully seated
- 360 degree accessible, round exam stool height adjuster
- Foot-activated seat height control for hygienic adjustments
- Priced to keep your patients AND wallets both happy and healthy!
- CL4x - Modestly priced simple task stools and chairs with basic features



Classic (CL)

Healthcare | Lab

Please see pages 39, 189 – 207 for casters and options.

small / petite

Model	Description	Textile Grade-In	List	Specifications
CL44EZ	Simple Multi-Function (-7bNS)	Grade 1 / C.O.M.	\$453.00	Overall width 25"
	Pneumatic lift	Grade 2 / Grade-in A	\$468.00	Overall height 32" - 41"
	EZ Back height adjustment	Grade 3 / Grade-in B	\$483.00	Back 16" w x 13" h
	Independent seat and back angle adjustment	Grade 4 / Grade-in C	\$498.00	Seat 18" w x 17" d
	Carpet casters	Grade 5 / Grade-in D	\$513.00	Seat height 16" - 21"
		Grade 6 / Grade-in E	\$528.00	Travel range (ht.) 4" (back) / 5" (seat)
		LG1 (Evita) / C.O.L.	\$673.00	COM 1 yd.
		LG2 (Lena-LDEL, LLUT, LORC only)*	\$698.00	Carton / FedEx wt 33 lbs / 68 lbs
		LG3 (Vulcano-LMIT, LSTG only)*	\$728.00	Arms Group 1 & 4
	*For NON In-Stock colors, check with OM Seating for additional pricing details.		Warranty 12 year limited	



Model	Description	Textile Grade-In	List	Specifications
CL44MD	Simple Multi-Function (-7aCLSNS)	Grade 1 / C.O.M.	\$407.00	Overall width 25"
	Pneumatic lift	Grade 2 / Grade-in A	\$422.00	Overall height 32" - 41"
	EZ Back height adjustment	Grade 3 / Grade-in B	\$437.00	Back 16" w x 13" h
	Infinitely locking back tilt	Grade 4 / Grade-in C	\$452.00	Seat 18" w x 17" d
	Polished aluminum package	Grade 5 / Grade-in D	\$467.00	Seat height 16" - 21"
	Safety soft casters	Grade 6 / Grade-in E	\$482.00	Travel range (ht.) 3" (back) / 5" (seat)
				COM 1 yd.
				Carton / FedEx wt 34 lbs / 68 lbs
				Arms Group 1 & 4
			Warranty 12 year limited	



average / medium


Model	Description	Textile Grade-In	List	Specifications
CL48EZ	Simple Multi-Function (-7bNS)	Grade 1 / C.O.M.	\$525.00	Overall width 25"
	Pneumatic lift	Grade 2 / Grade-in A	\$540.00	Overall height 37" - 45.5"
	EZ Back height adjustment	Grade 3 / Grade-in B	\$555.00	Back 17" w x 22" h
	Independent seat and back angle adjustment	Grade 4 / Grade-in C	\$570.00	Seat 18.5" w x 17" d
	Carpet casters	Grade 5 / Grade-in D	\$585.00	Seat height 16" - 21"
		Grade 6 / Grade-in E	\$600.00	Travel range (ht.) 4" (back) / 5" (seat)
		LG1 (Evita) / C.O.L.	\$745.00	COM 1 yd.
		LG2 (Lena-LDEL, LLUT, LORC only)*	\$770.00	Carton / FedEx wt 39 lbs / 101 lbs
		LG3 (Vulcano-LMIT, LSTG only)*	\$800.00	Arms Group 1 & 4
	*For NON In-Stock colors, check with OM Seating for additional pricing details.		Warranty 12 year limited	




Above weights do not include optional arm kits . ; FedEx weight is calculated using FedEx dimensional standards to determine billable weight. ; Pricing and specifications subject to change without notification.

Please see pages 39, 189 – 207 for casters and options.

stools

Model	Description	Textile Grade-In	List	Specifications	
	CL45EZ	Simple Multi-Function (-7bNS)	Grade 1 / C.O.M.	\$568.00	Overall width 27"
		Pneumatic lift	Grade 2 / Grade-in A	\$583.00	Overall height 41" - 55"
		EZ Back height adjustment	Grade 3 / Grade-in B	\$598.00	Back 16" w x 13" h
		20" chrome footring	Grade 4 / Grade-in C	\$613.00	Seat 18" w x 17" d
		Independent seat and back angle adjustment	Grade 5 / Grade-in D	\$628.00	Seat height 24" - 34"
		Optional 8" cylinder available (20" - 28")	Grade 6 / Grade-in E	\$643.00	Travel range (ht.) 4" (back) / 10" (seat)
		Carpet casters	LG1 (Evita) / C.O.L.	\$788.00	COM 1 yd.
			LG2 (Lena-LDEL, LLUT, LORC only)*	\$813.00	Carton / FedEx wt 39 lbs / 68 lbs
			LG3 (Vulcano-LMIT, LSTG only)*	\$843.00	Arms Group 1 & 4
					Warranty 12 year limited

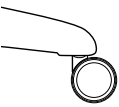
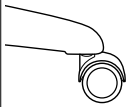
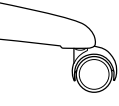
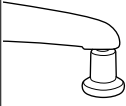
*For NON In-Stock colors, check with OM Seating for additional pricing details.

Model	Description	Textile Grade-In	List	Specifications	
	CL47	Simple Multi-Function (-7aCLS)	Grade 1 / C.O.M.	\$655.00	Overall width 27"
		Pneumatic lift	Grade 2 / Grade-in A	\$670.00	Overall height 41" - 54"
		EZ Back height adjustment	Grade 3 / Grade-in B	\$685.00	Back 17" w x 16.5" h
		Infinitely locking back tilt	Grade 4 / Grade-in C	\$700.00	Seat 20" w x 17-20.1" d
		Seat slider	Grade 5 / Grade-in D	\$715.00	Seat height 25.5" - 35.5"
		Turn-lock footring	Grade 6 / Grade-in E	\$730.00	Travel range (ht.) 3" (back) / 10" (seat)
		Optional 8" cylinder available	LG1 (Evita) / C.O.L.	\$875.00	COM 1 yd.
		Carpet casters	LG2 (Lena-LDEL, LLUT, LORC only)*	\$900.00	Carton / FedEx wt 58 lbs / 101 lbs
			LG3 (Vulcano-LMIT, LSTG only)*	\$930.00	Arms Group 1 & 4
					Warranty 12 year limited




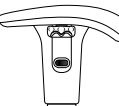
*For NON In-Stock colors, check with OM Seating for additional pricing details.

common options

Suggested Options for CL Series

Casters	
	65MS (formerly CAS0065-S) - list: 25.00 (upcharge) Dual-tone Universal Soft Casters Dual-tone; designed for wood, tile and smooth or harder surfaces. For most stools. (5 per set)
	50R (formerly CAS0050-RB) - list: 35.00 (upcharge) Reverse Braking Caster Restricted chair movement when chair IS in use (5 per set)
	50SS (formerly CAS0050-SS) - list: 25.00 (upcharge) Safety Soft Caster Minimizes chair movement when NOT in use (5 per set)
	GLDR (formerly GLD) - (no charge to substitute) Not appropriate for all models. Check with factory for details (5 per set)

Suggested Options for CL Series (CL44EZ, CL44MD, CL45EZ & CL48EZ)

Arms	
	KR100M (2D Motion) (formerly KR-240M) - list: 144.00 Height and width adjustable, removable T-arms with natural grip control and Memosoft arm pads. For specs and warranty, see page 193.
	KR100-45 (4D Motion) (formerly KR445) - list: 185.00 Height and width adjustable, removable T-arms with fore-aft, side-side, and inward pivoting arm tops (RP-45). For specs and warranty, see page 194.
	KR200 (2D Motion) - list: 119.00 Height and width adjustable, removable T-arms with natural grip control. For specs and warranty, see page 193.
	KR25 (1D Motion) - list: 70.00 Fixed width, height adjustable T-arms featuring natural grip control For specs and warranty, see page 192.

See pages 189-207 for a complete listing of all available arm, cylinder, caster, and other ergonomic options.

Not all options may be applicable to a given model. Check with OM for compatibility details.

Above weights do not include optional arm kits. ; FedEx weight is calculated using FedEx dimensional standards to determine billable weight. ; Pricing and specifications subject to change without notification.